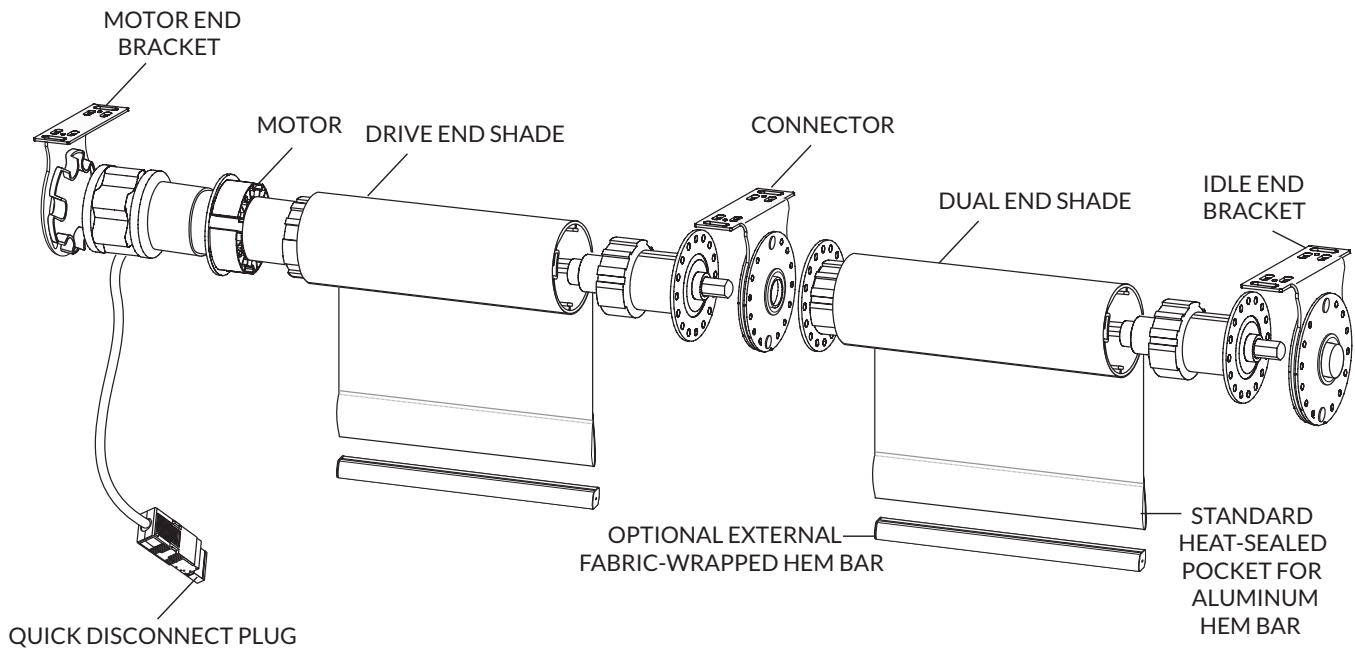


Coupled Standard Motorized Shade



- Couple up to 10 shade bands to a maximum opening width of 500" based on fabric selection and height. Shades are connected with a mechanical coupler and operated by a single motor.
- Roller tube is 2.45" or 3.15" T5 extruded aluminum, engineered with a channel to accept fabric spline, making the shade panel easy to remove.
- Spring-loaded, adjustable coupler plug allows for precise leveling of shades.
- Brackets are stamped steel and corrosion resistant. Available in powder-coated white and black.
- Adjustable intermediate and idle end bracket allows shades to be leveled while in place.
- Shades are raised and lowered by means of a line voltage AC motor.
- All motors come standard with a quick disconnect plug.
- Maximum roll diameter is 3.675".
- Hem bar is extruded aluminum and completely enclosed in a heat-sealed hem pocket.
- Optional external fabric-wrapped hem bar is available in a maximum width of 12'. Colors include white, bronze, and clear satin anodized.
- Optional 4.75" x 5" single shade pocket with or without tile support and 3" closure plate available in white, bronze, and clear satin anodized.
- Limited lifetime warranty.