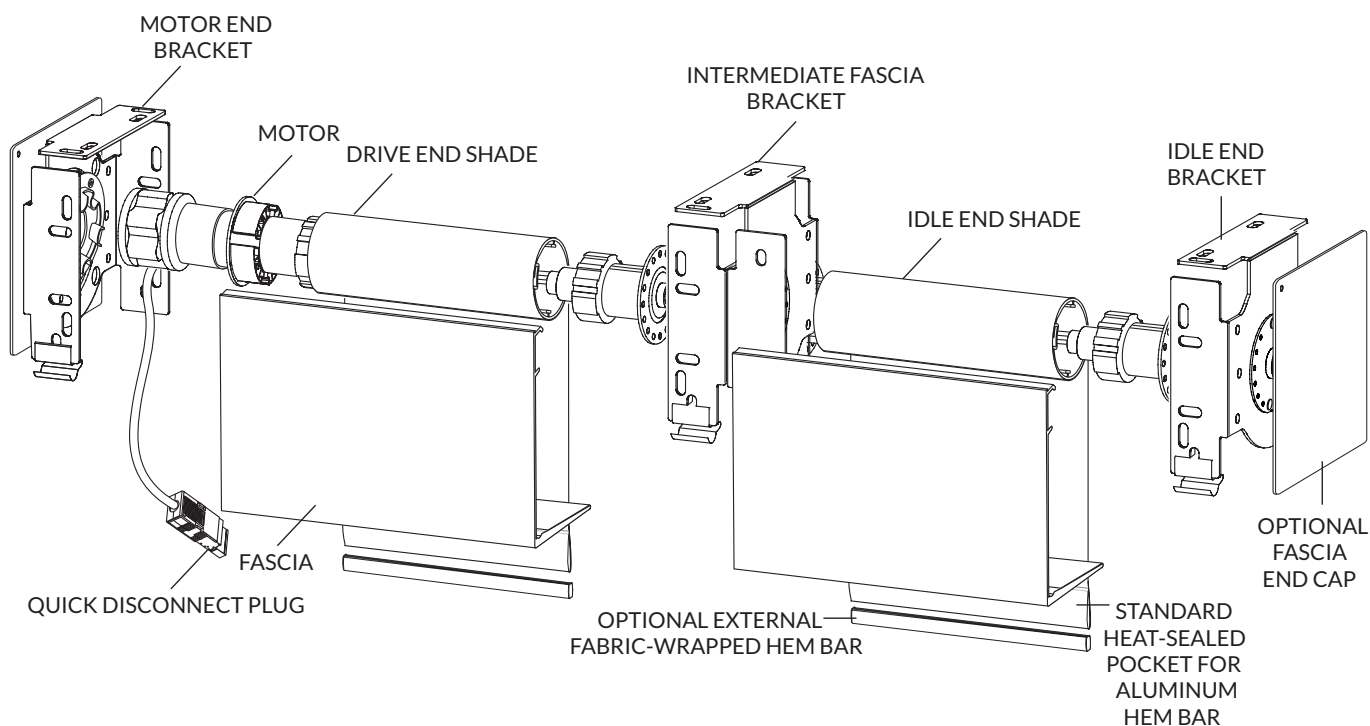


# Coupled Extended Motorized Shade With Fascia



- Couple up to 10 shade bands to a maximum opening width of 500" based on fabric selection and height. Shades are connected with a mechanical coupler and operated by a single motor.
- Roller tube is 2.45", 3.15", or 3.95" T5 extruded aluminum, engineered with a channel to accept fabric spline, making the shade panel easy to remove.
- Spring-loaded, adjustable coupler plug allows for precise leveling of shades.
- Brackets are stamped steel and corrosion resistant. Available in powder-coated white and black.
- Adjustable intermediate and idle end bracket allows shades to be leveled while in place.
- Shades are raised and lowered by means of a line voltage AC motor.
- All motors come standard with a quick disconnect plug.
- Maximum roll diameter is 6.25".
- Hem bar is extruded aluminum and completely enclosed in a heat-sealed hem pocket.
- Optional external fabric wrapped hem bar is available in a maximum width of 12'. Colors include white, bronze, and clear satin anodized.
- 7.5" x 2.25" fascia available in white, vanilla, bronze, clear satin anodized, and black.
- Limited lifetime warranty.