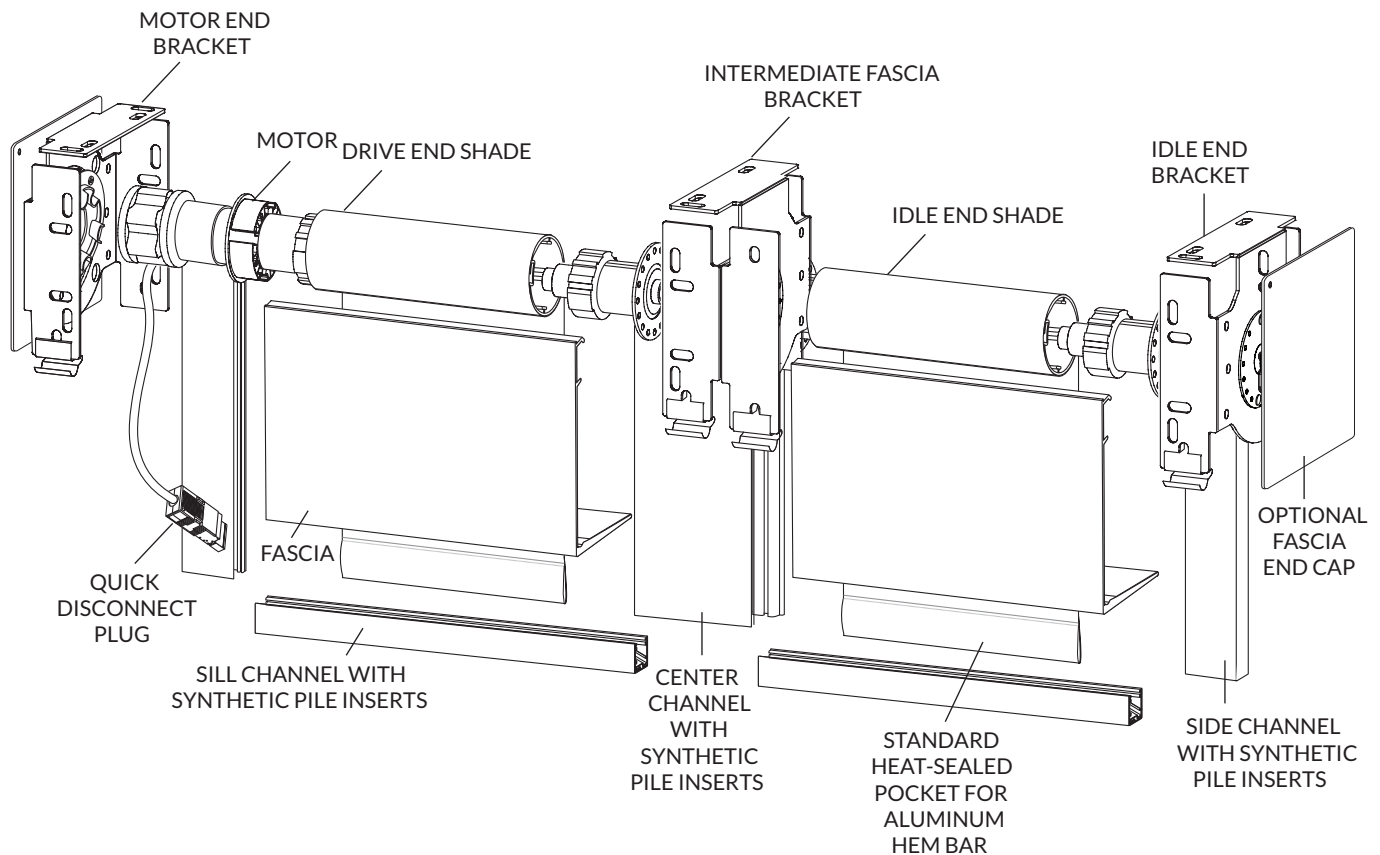


Coupled Extended Motorized Shade With Blackout



- Couple up to 10 shade bands to a maximum opening width of 500" based on fabric selection and height. Shades are connected with a mechanical coupler and operated by a single motor.
- Roller tube is 2.45", 3.15", or 3.95" T5 extruded aluminum, engineered with a channel to accept fabric spline, making the shade panel easy to remove.
- Spring-loaded, adjustable coupler plug allows for precise leveling of shades.
- Brackets are stamped steel and corrosion resistant. Available in powder-coated white and black.
- Adjustable intermediate and idle end bracket allows shades to be leveled while in place.
- Shades are raised and lowered by means of a line voltage AC motor.
- All motors come standard with a quick disconnect plug.
- Maximum roll diameter is 6.25".
- Hem bar is extruded aluminum and completely enclosed in a heat-sealed hem pocket.
- 7.5" x 2.25" fascia available in white, vanilla, bronze, clear satin anodized, and black.
- Blackout channels are two-piece extruded aluminum with snap-fit design and synthetic pile inserts to eliminate light gaps. Side channel is 1" x 2" and eliminates light gaps along edge of shades. Sill channel is 1" x 2" and eliminates light gaps along the bottom of shades. Center channel is 1" x 4" and eliminates light gaps between adjoining shades.
- Limited lifetime warranty.