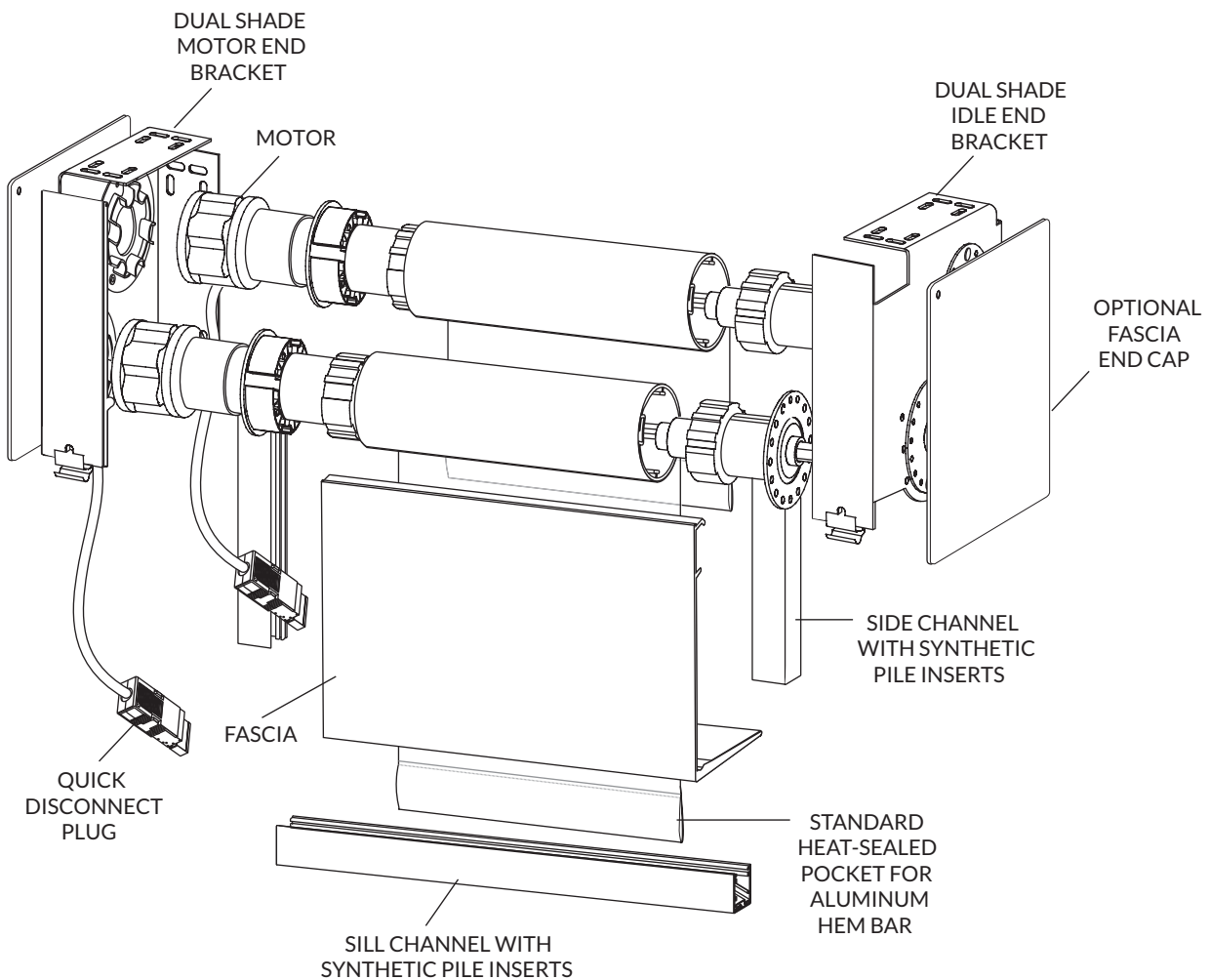


Dual Motorized Shade With Blackout



- Allows for two shades to be installed onto one bracket system.
- Standard roller tube is 2.45" or 3.15" T5 extruded aluminum, engineered with a channel to accept fabric spline, making the shade panel easy to remove.
- Brackets are stamped steel and corrosion resistant. Available in powder-coated white and black.
- Adjustable idle end bracket allows shades to be leveled while in place.
- Each shade is raised and lowered by its own line voltage AC motor.
- All motors come standard with a quick disconnect plug.
- Maximum roll diameter is 3.438".
- Hem bar is extruded aluminum and completely enclosed in a heat-sealed hem pocket.
- 7.5" x 2.25" fascia available in white, vanilla, bronze, clear satin anodized, and black.
- Blackout channels are two-piece extruded aluminum with snap-fit design and synthetic pile inserts to eliminate light gaps. Side channel is 1" x 2" and eliminates light gaps along edge of shades. Sill channel is 1" x 2" and eliminates light gaps along the bottom of shades.
- Limited lifetime warranty.