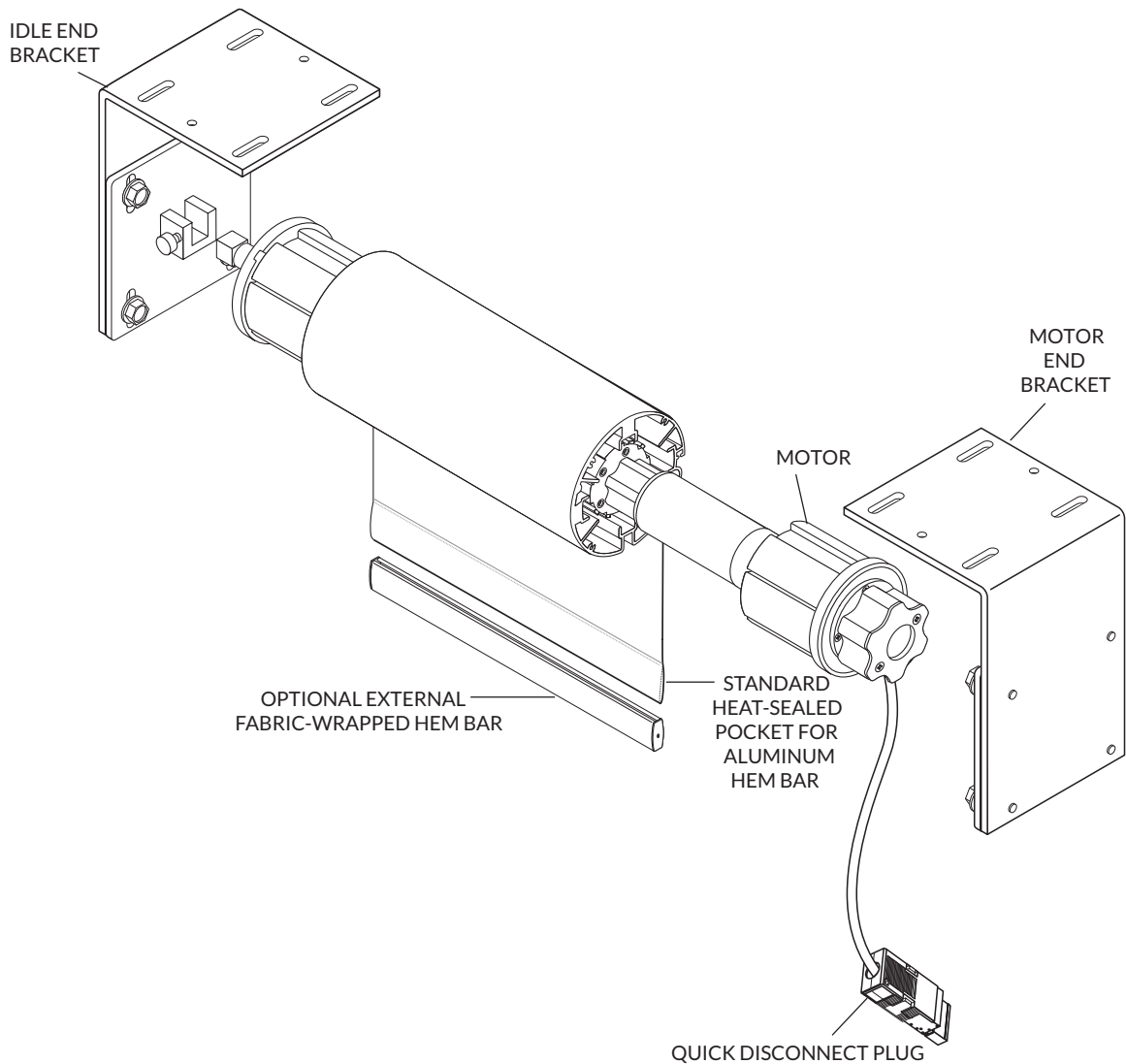


Heavy Duty Motorized Shade



- Roller tube is 5.15" T5 extruded aluminum, engineered with a channel to accept fabric spline, making the shade panel easy to remove.
- Brackets are stamped steel and corrosion resistant. Available in powder-coated vanilla.
- Shades are raised and lowered by means of a line voltage AC motor.
- All motors come standard with a quick disconnect plug.
- Maximum roll diameter is 8.0".
- Hem bar is extruded aluminum and completely enclosed in a heat-sealed hem pocket.
- Optional external fabric-wrapped hem bar is available in a maximum width of 12'. Colors include white, bronze, and clear satin anodized.
- Optional 7.5" x 8" shade pocket with or without tile support and 5" closure plate available in white.
- Limited lifetime warranty.