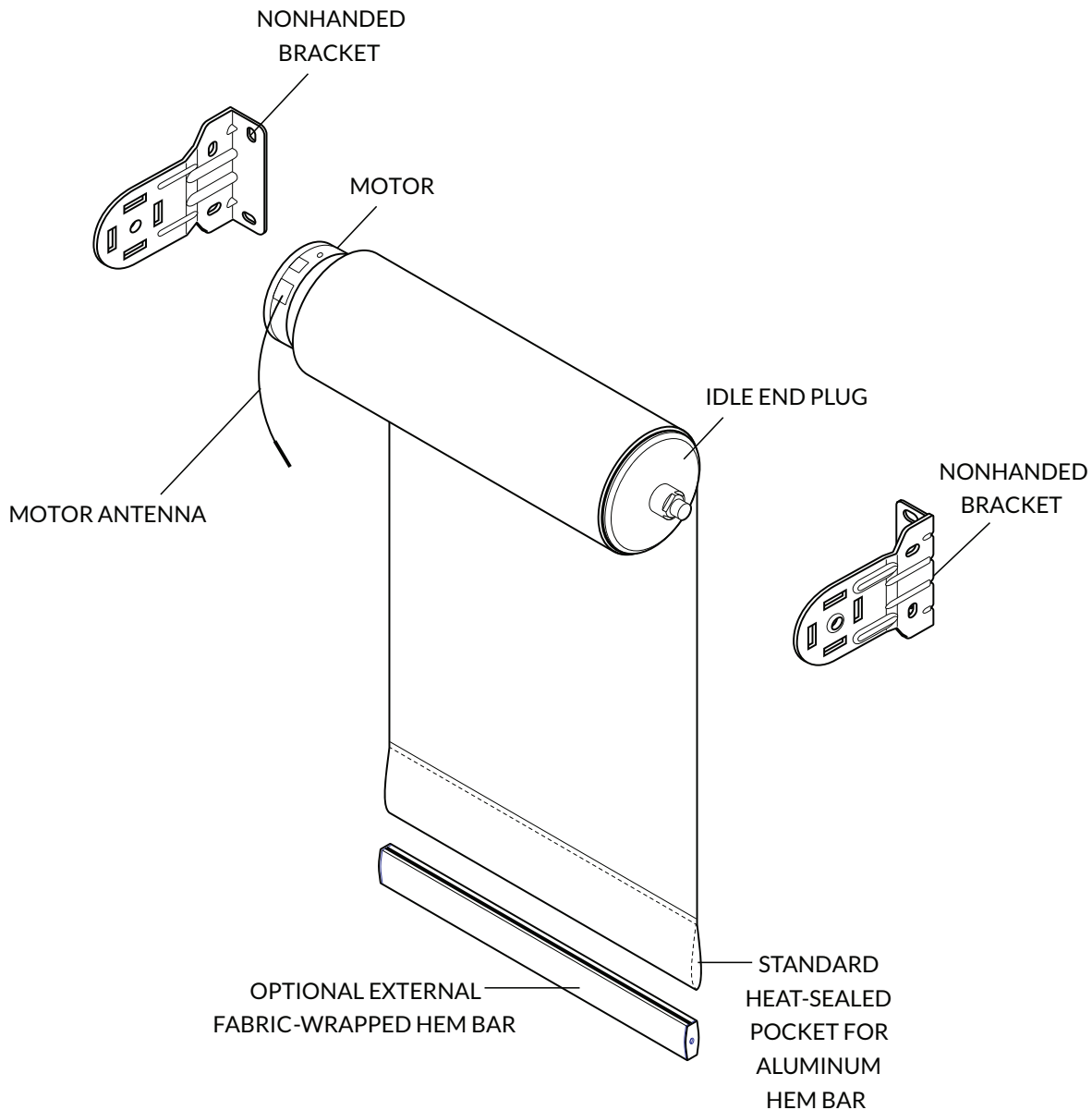


Sonesse® 30 Motorized Shade



- Roller tube is 1.5" T5 extruded aluminum engineered with a channel to accept fabric spline, allowing for easy shade panel removal
- Spring-loaded idle end
- Nonhanded brackets are stamped steel and corrosion resistant; available in powder-coated white, vanilla, gray, and black
- Sonesse 30 RTS, 24V DC quiet motor, is rated at 44 dBA and is capable of producing 2 Nm of torque
- Hem bar is extruded aluminum and completely enclosed in a heat-welded hem pocket
- Optional fabric-wrapped hem bar available in a maximum width of 12 feet; colors include white, clear satin anodized, and bronze
- Coupling available up to 144" or three shade bands
- Limited Lifetime Warranty (five-year warranty on motor)