

# Sonesse® 50 Intelligent Wired Motor



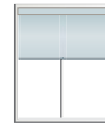
50 mm star head intelligent quiet motor controlled and monitored via Somfy Digital Network® solutions and animeo® IP total solar management system.



## MAIN CHARACTERISTICS

- Somfy Digital Network (SDN) compatible motor
- Brushless asynchronous 110V AC (60 Hz) single-phase motor
- Native RS485 protocol
- Embedded microprocessor based-controller and onboard communication port for bidirectional communications
- Star head motor for strong attachment to bracket systems (six possibilities to orientate the head of the motor)
- Compatible with SWFContract motorized line of tube and bracket sizes
- Digital encoder delivering precise alignment of +/- 2 mm accuracy
- 16 unique stopping points
- 16 individual operating addresses
- Thermally protected
- Overcurrent protection
- Permanently lubricated gear box
- Maintenance-free

## APPLICATIONS



Solar Shades

## TECHNOLOGY

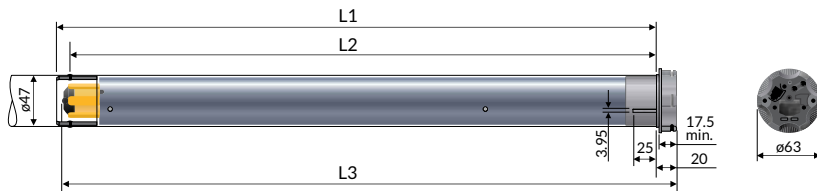


# ST506, ST510 Intelligent

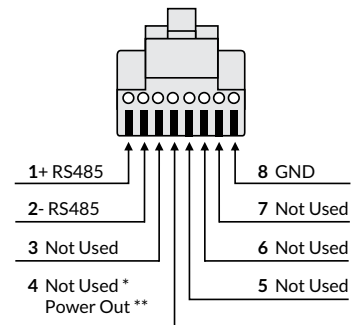


**PART NUMBER:**  
39-5524-00 & 15825-00

## SONESSE® 50 INTELLIGENT STAR HEAD

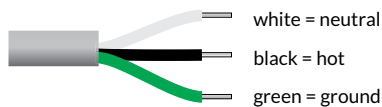


## DATA CABLE: RJ45 PINOUTS



## TYPE OF POWER CABLE

120V/60 Hz  
3 Conductor Cable



\* Data Cable (black) for powered Somfy Digital Network (SDN)

\*\* Data Cable (gray) for powering external modules.

TECHNICAL FEATURES	
Voltage Supply	AC
Index Protection Rating (interior use only)	IP 44
Limit Switch Type	Electronic
Limit Switch Capacity	300 Turns
Temperature Working Range	-4°F to 158°F (-20°C to 70°C)
Insulation Class	Class 1 for 120V

DIMENSIONS	506	510
L1	25.7 in (653 mm)	26.5 in (673 mm)
L2	25.2 in (660 mm)	26.0 in (660 mm)
L3	26.2 in (686 mm)	27.0 in (686 mm)
Power Cable Length	18 in (.45m)	18 in (.45m)
Data Cable Length (included)	Available in 2.5', 8', 12' and 24' lengths / RJ45 plug ends	

Optional cables with NEMA plugs available in 6 ft, 10 ft. at nominal torque without end product.

PERFORMANCES	506	510
Torque	6 Nm	10 Nm
Nominal Voltage	120V/60 Hz	120V/60 Hz
Rated Current	1.2A	1.8A
Speed	32 rpm	32 rpm
Thermal Protection	4 minutes	4 minutes
Sound Level	≤ 45 dBA	≤ 47 dBA