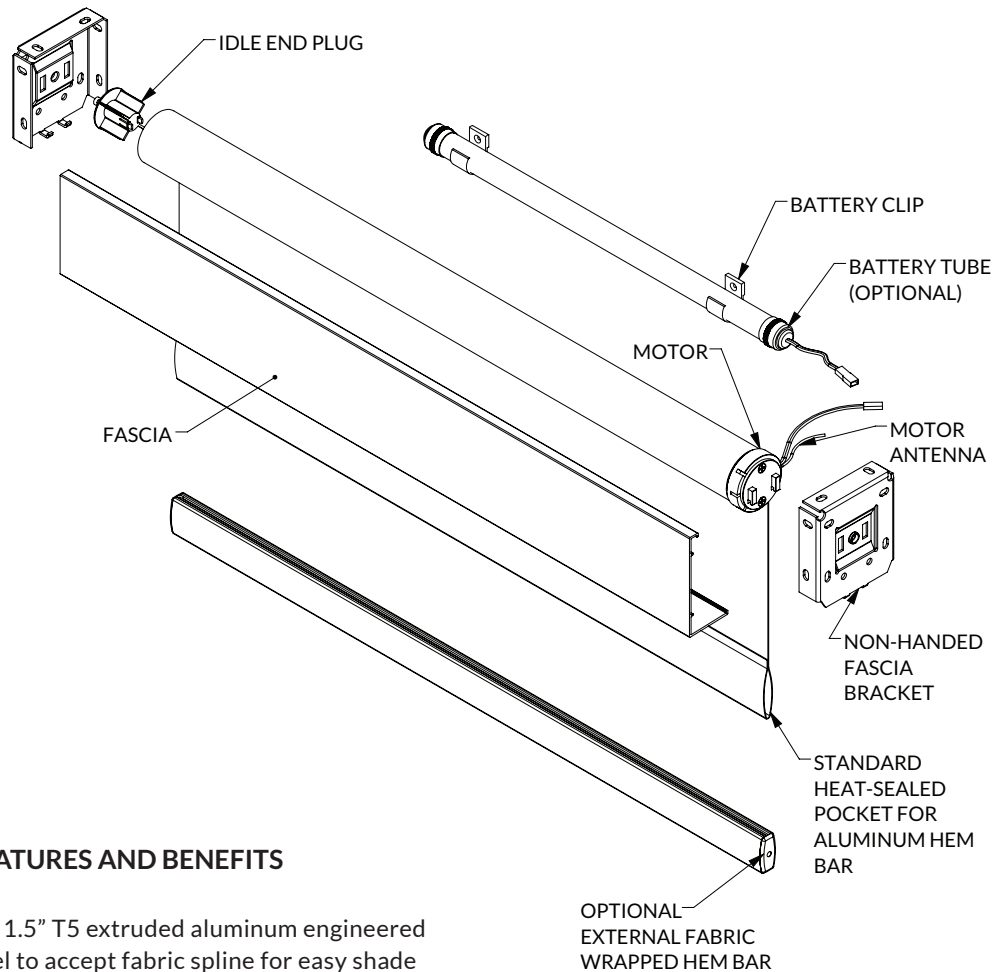


True Performance R28 Motorized Shade w/Fascia



PRODUCT FEATURES AND BENEFITS

- Roller tube is 1.5" T5 extruded aluminum engineered with a channel to accept fabric spline for easy shade panel removal
- Spring-loaded idle end
- Non-handed brackets are stamped steel, corrosion resistant, and available in powder-coated white, vanilla, gray, and black
- R28 RTS, 12V DC, .8A motor, is rated at 56 dBA and is capable of producing 1.1 Nm of torque
- Maximum roll diameter is 2.51" on 3" fascia; 3.42" on 4" fascia
- Hembar is extruded aluminum and enclosed in a heat-welded hem pocket
- **Optional fabric-wrapped hembar available in a maximum width of 12 feet. Colors include white, clear satin anodized, and bronze satin anodized**
- 3" fascia measures 3.395" high with a 1.5" bottom lip and snaps onto fascia brackets. 4" fascia is also available;
- Fascia available in white, vanilla, clear satin anodized, bronze satin anodized, and black
- Limited Lifetime Warranty (five-year warranty on motor)
- Power supply options:
 - 8AA battery tube (for shades up to 3,600 square inches)
 - Dual 8AA battery tubes w/ Y-harness (for shades up to 7,200 square inches)
 - Single plug-in transformer
 - 10 motor multi-motor power supply