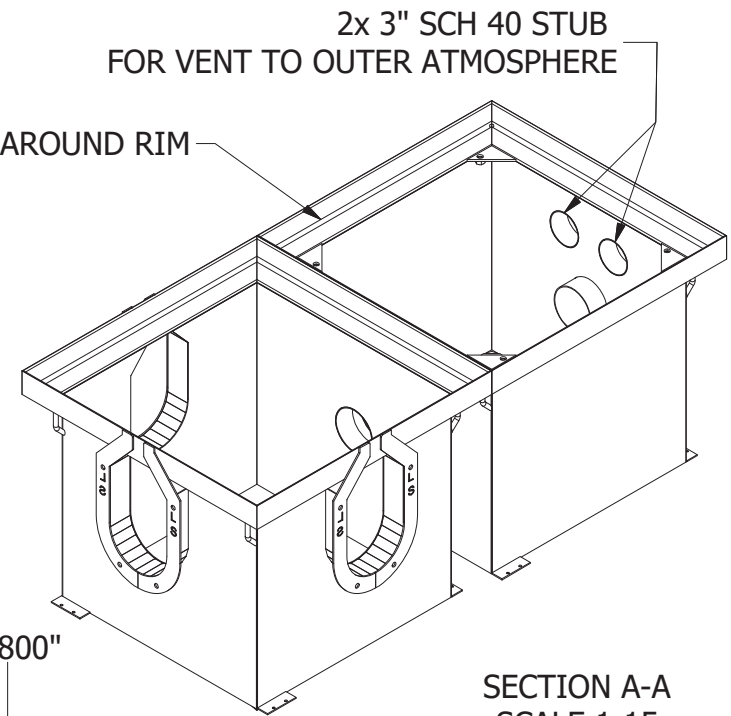
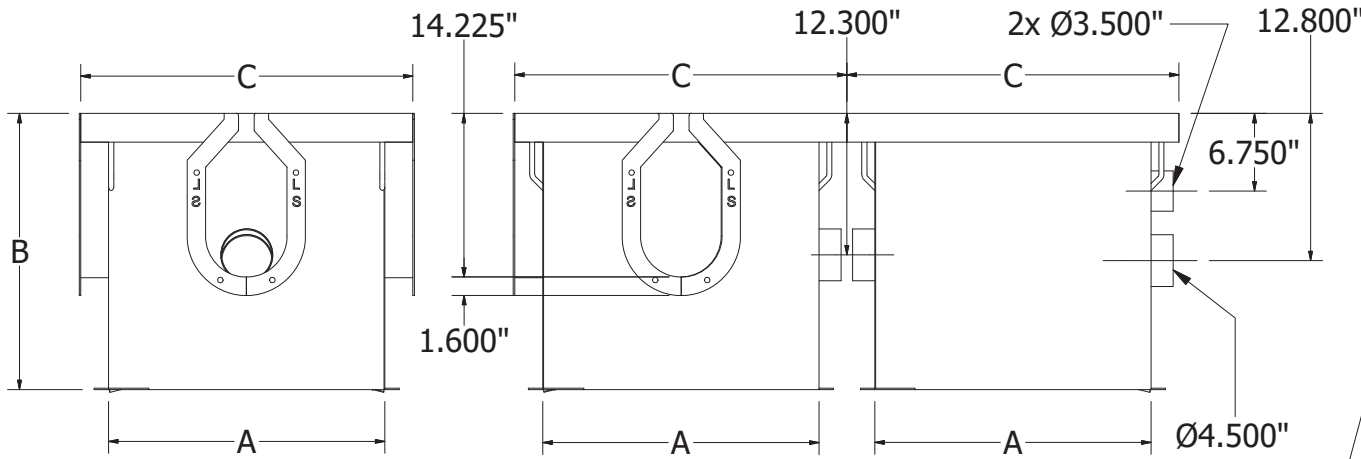
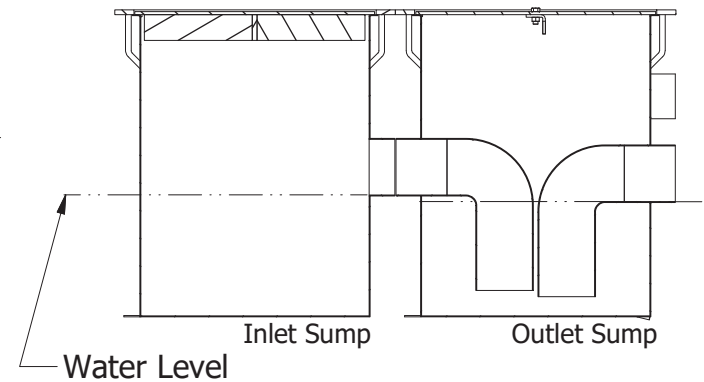




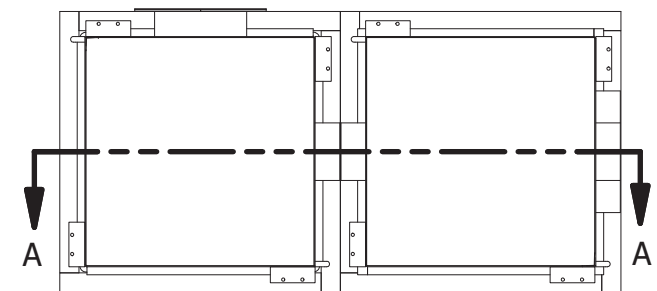
U-drain OSR Sump Spec Sheet



SECTION A-A
SCALE 1:15



SUMP	A	B	C
18" x 18" Single Inlet	18.000"	24.000"	21.938"
18" x 18" Double Inlet	18.000"	24.000"	21.938"
18" x 18" Triple Inlet	18.000"	24.000"	21.938"
24" x 24" Single Inlet	24.000"	24.000"	28.851"
24" x 24" Double Inlet	24.000"	24.000"	28.851"
24" x 24" Triple Inlet	24.000"	24.000"	28.851"
36" x 36" Single Inlet	36.000"	36.000"	40.851"
36" x 36" Double Inlet	36.000"	36.000"	40.851"
36" x 36" Triple Inlet	36.000"	36.000"	40.851"



ALL ABS PLUMBING TO BE COMPLETED BY PLUMBER
BODY CONSTRUCTED WITH 14 GA MATERIAL