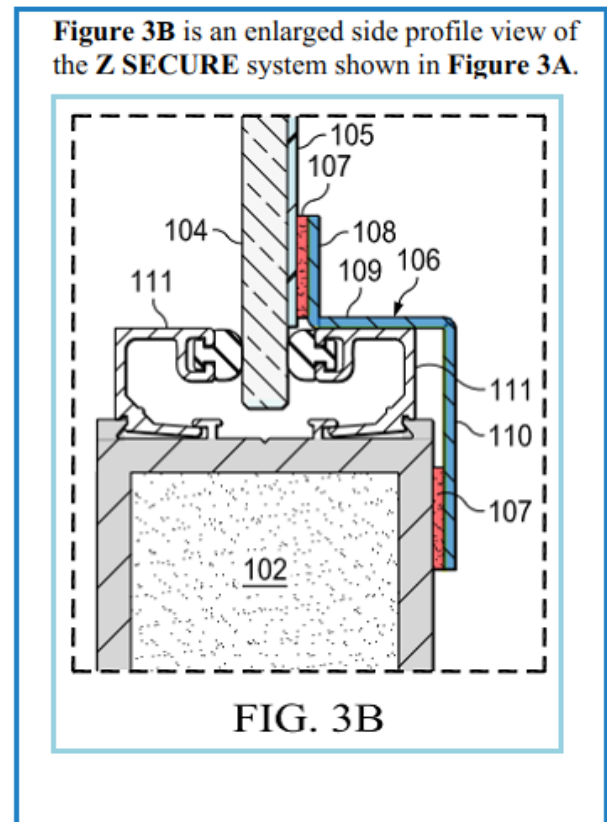
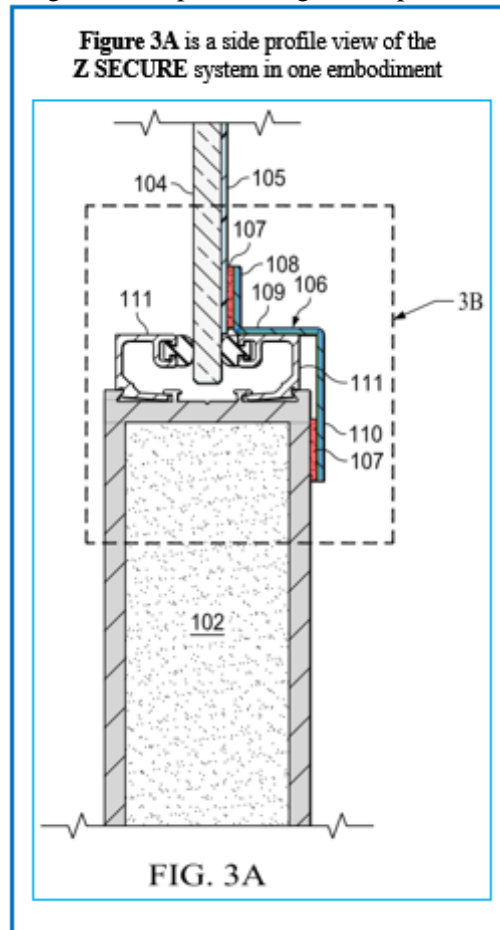


**Z SECURE** is a patented and tested attachment system for doors used in conjunction with security window films. Glass is typically the weak point that criminals exploit to enter a building or home. Consequently, it is desirable to have a system and method which allows for increased security. Security glass film increases the security of traditional glass by holding the film on the glass. Metal doors generally have glass that is installed in a removable kit. Currently, most specifications issued with construction project drawings suggest and reference a bead of silicone be applied at the filmed surface of the glass as an attachment method. The security film will stay attached to the glass, but this silicone option will not hold the glass in a door frame without an anchoring attachment system.

IF an unwanted intruder breaks the glass in a door, **Z SECURE** will hold the security filmed glass and kit in the frame of the door. **Z SECURE** is an exclusive product made for each door size and style with available colors that match popular frame options including Clear Anodized, Dark Bronze, and more. Therefore, aesthetically this system is preferred over the common rubberized glazing tape. **Z SECURE** is custom shaped to go over the glass stop/kit with a .50" bite on to the frame and a 90° bend over the stop/kit, another 90° bend will go onto the filmed glass surface. Bend and Angle Dimensions of the shape will always vary because of the custom fit of **Z Secure** and depending on the depth of the glass stop/kit.



**METHOD DESCRIPTION:** Technical data for both the aluminum as well as any other materials used are available upon request.

**Z SECURE** is a securement system which can help glass with security film withstand more blows than traditional glass. A pane of glass **104** installed onto a door frame **102** secured into a removable door kit **111**. Security film **105** is adhered to the glass **104** surface and allowed to cure for a necessary period of time. A **Z SECURE** bracket **106** made of .040 aluminum has a glass coupler **108**, a gap definer **109**, and a support coupler **110** is a complete system. The glass coupler **108** is adhered to the security film via **VHB Tape** clear .50" using a UV Adhesive Promoter or Primer 94 and the support coupler **110** is adhered to the door frame support also using a **VHB Tape** clear .50" using a UV Adhesive Promoter or Primer 94 covering and including the kit.

Any unauthorized use for this proprietary system is in violation of the law.

Licensing of this product is available through [www.Hometint.com](http://www.Hometint.com)