

Standard Packages

Unit Width	Slide Opening	Breakout / Wall Opening	Slide Panel Width
7'-0" (2134)	3'-0" (914)	3'-3 1/2" (1003)	3'-6" (1067)
8'-0" (2438)	3'-6" (1067)	3'-9 1/2" (1156)	4'-0" (1219)
8'-6" (2591)	3'-9" (1143)	4'-0 1/2" (1232)	4'-3" (1295)
9'-0" (2743)	4'-0" (1219)	4'-3 1/2" (1308)	4'-6" (1372)

Unit Height: 7'-6" (2286)	Finishes: Anodized Aluminum, Custom Paint, #4 Stainless Clad
Glazing: Standard unit prep'd for 1/4" (6) glazing using beveled glass stops on all horizontal rails.	

Compliant with ISO Class 3 Cleanroom

- Sealed Motor for ISO Class 3 Compliance
- Application for Electronics Manufacturing Cleanroom

Actuators:

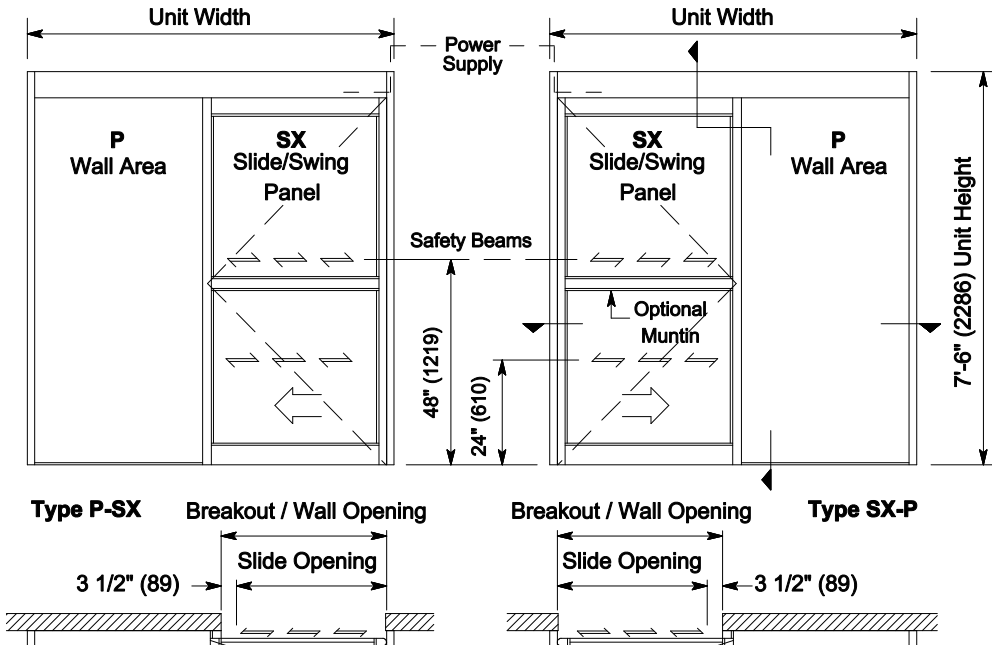
- Push Plate, Pull Chain or overhead Motion Sensor

Options:

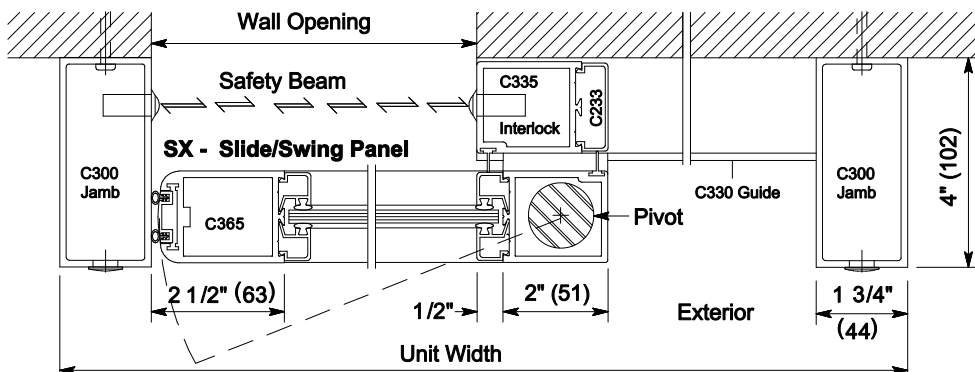
- Custom height & width.
- Medium or wide stile construction
- Stainless steel or anodized aluminum hood
- Manual lock, Autolock, or Interlock Controller

Installation and Operation

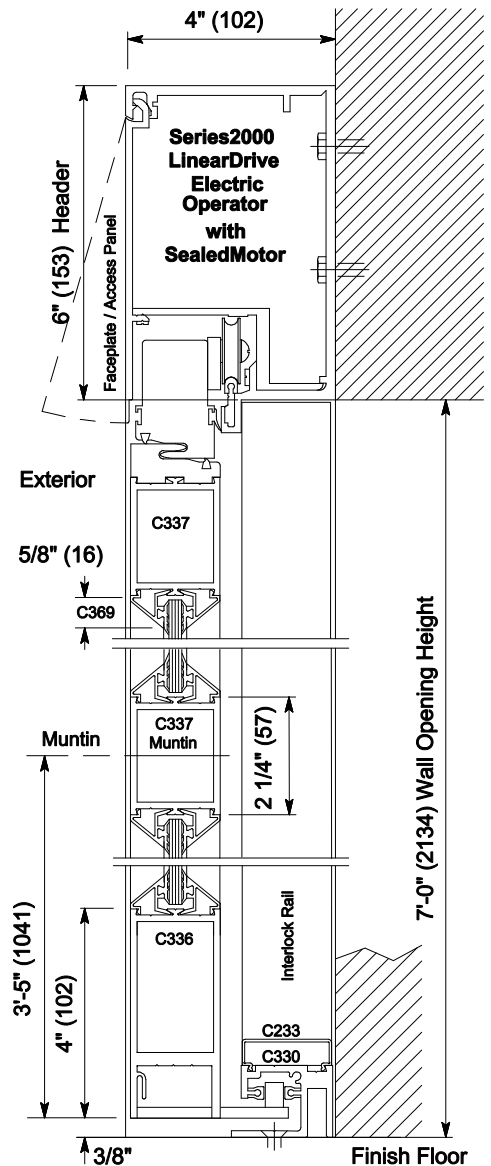
- Door unit is surface mounted onto exterior of finished wall. Finish floor not to exceed 1/4" out of level. (See page C6.2)
- Electrical: Provide 120 VAC, 60 cycle, single phase, 15 amp service (in conduit) to each unit on dedicated 20 amp circuit breaker routed to header. Maximum current draw is 3.15 amps.
- Actuator mounted on interior and exterior of opening for operation in each direction. Door closes after time delay expires. Optional interlock Control prevents two doors from being open at the same time in multiple door application.
- Finger Safety: Upon activation, sliding panel will stop 3 1/2" (89) short of interlock rail. Result is slide opening.
- Standard SX Slide/Swing Panel can swing out at any point of slide travel requiring no more than 50 lbs of force applied at the strike stile.



Exterior Elevation and Floor Plan



Horizontal Section
Type SX-P shown, P-SX opposite



Vertical Section
Door shown in open position