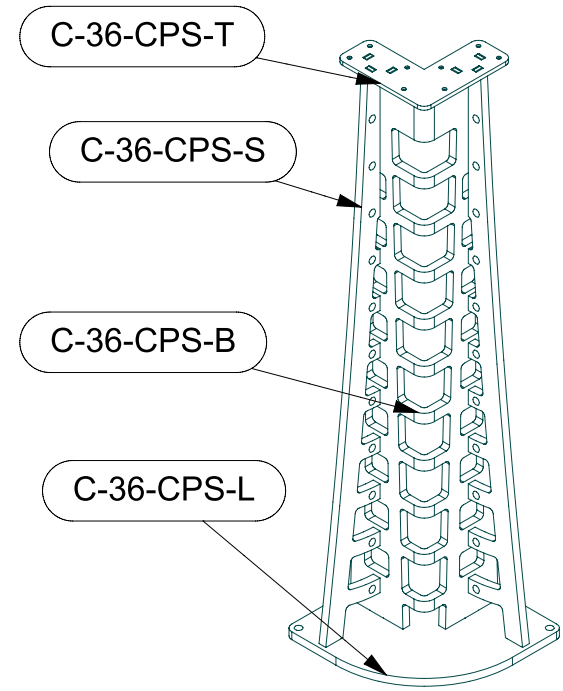
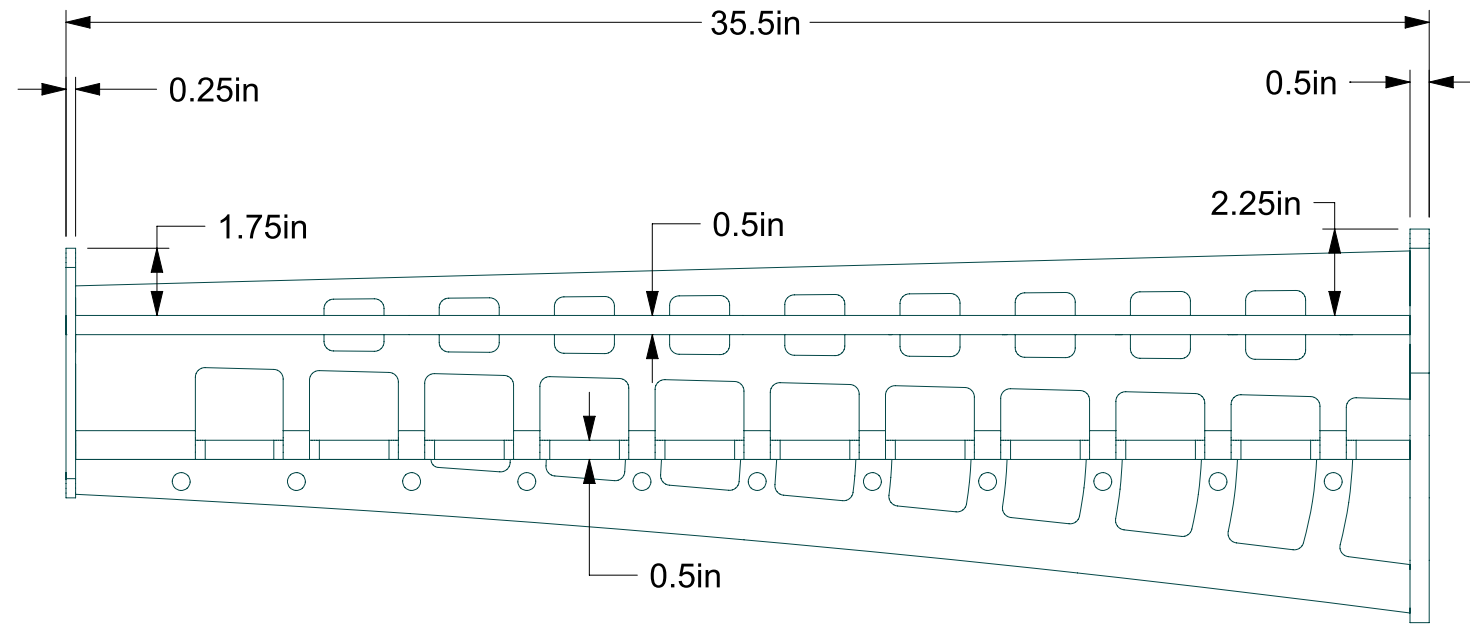
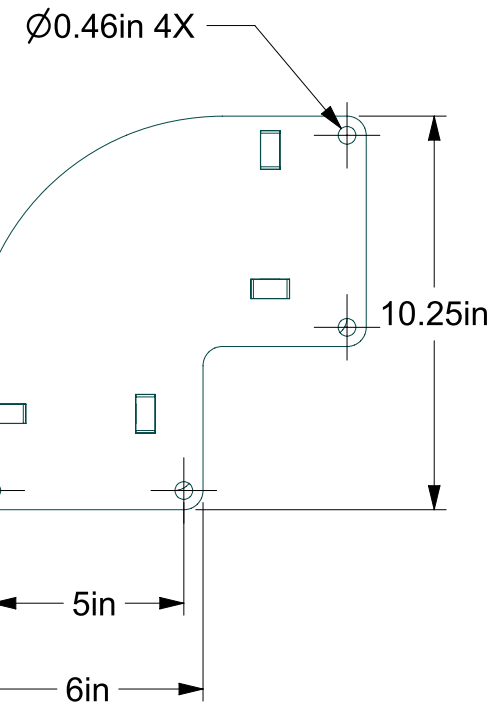
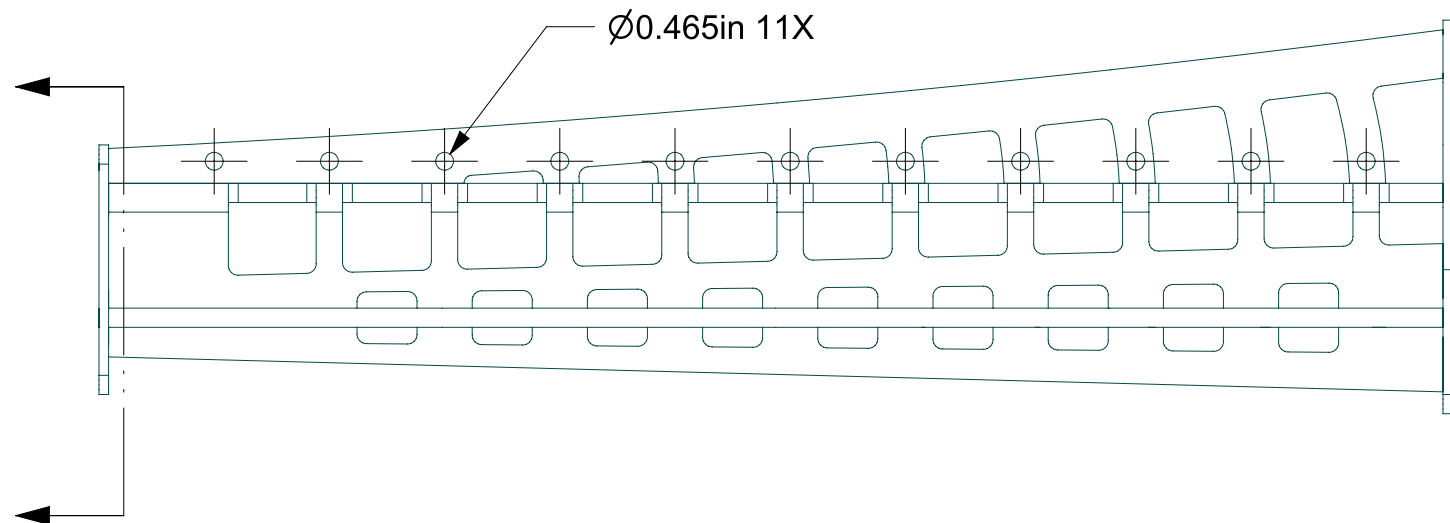
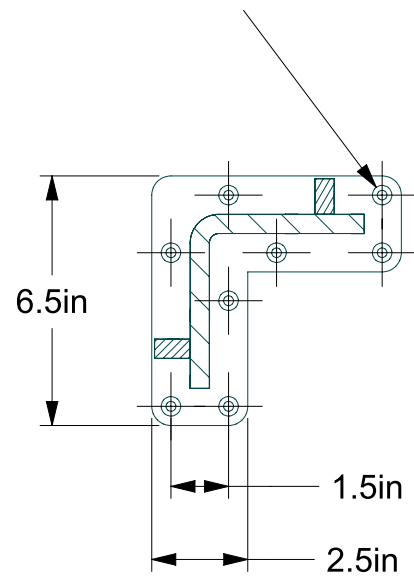


ITEM NO.	PART NUMBER	QTY
1	C-36-CPS-B	1
2	C-36-CPS-L	1
3	C-36-CPS-S	2
4	C-36-CPS-T	1



SCALE 1:10

Ø0.25in THRU  
 ✓ Ø0.507in X 82° 8X



NOTES:  
 STANDARD MATERIAL & FINISH:  
 - A-36 STEEL POWDER COATED

ADDITIONAL MATERIAL OPTIONS:  
 - A-36 STEEL GALVINIZED  
 - TYPE 304 STAINLESS STEEL  
 - TYPE 316 STAINLESS STEEL

MATERIAL: SEE NOTE  
 FINISH: SEE NOTE  
 COLOR:  
 LOCATION:  
 QUANTITY:

**KEUKA STUDIOS**  
 FINE ARCHITECTURAL METAL WORK

1011 Rush Henrietta Townline Road  
 Rush, NY 14543  
 P: 1-855-454-5678  
 F: 585-487-6150  
[www.keuka-studios.com](http://www.keuka-studios.com)

PROJECT: C-36-CPS  
 PART: C-36-CPS  
 DRAWN BY: JT  
 DATE: 4/15/16  
 REVISION: B  
 SCALE: 1:5  
 SIZE: B

SHEET: 1 OF: 1