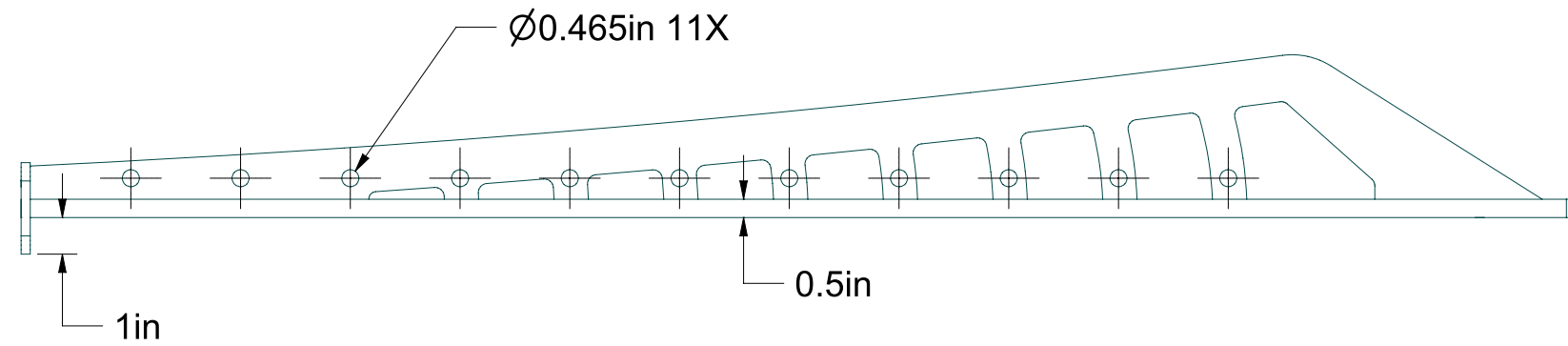
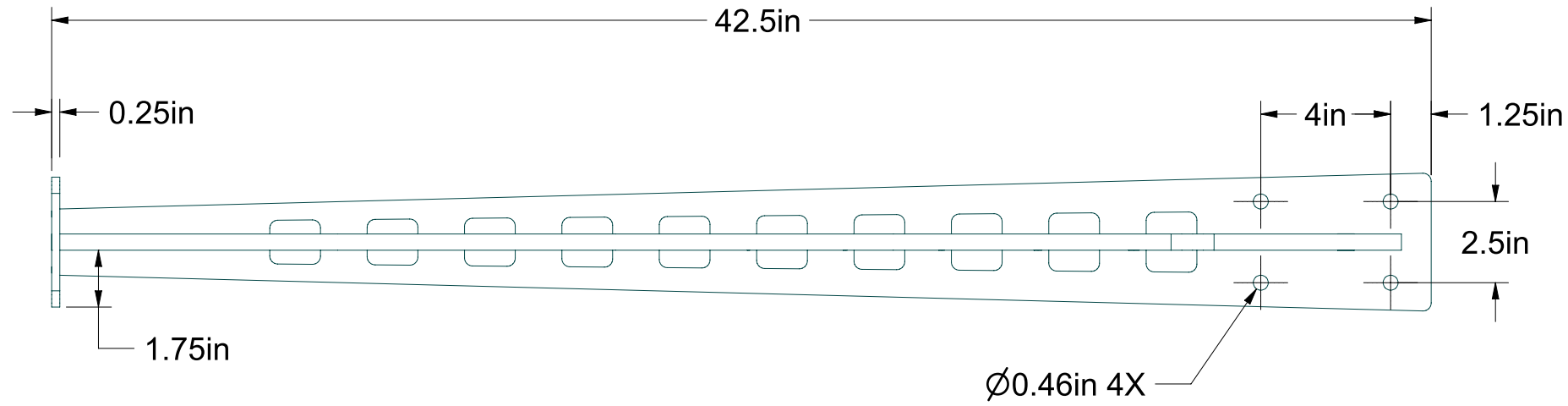
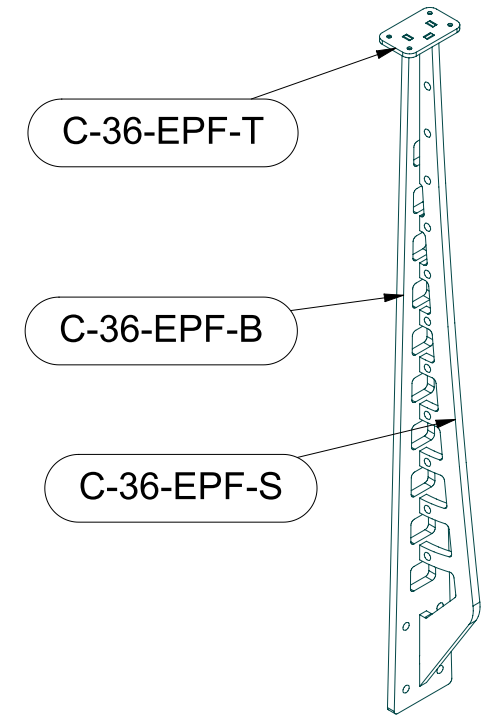


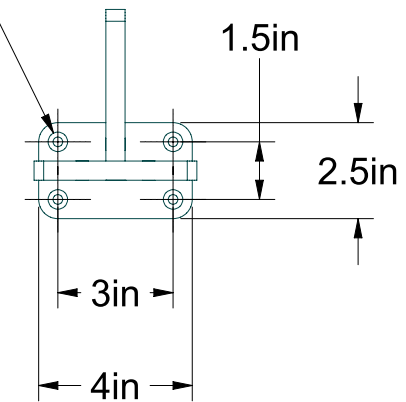
ITEM NO.	PART NUMBER	QTY
1	C-36-EPF-B	1
2	C-36-EPF-S	1
3	C-36-EPF-T	1



Ø0.25in THRU  
 ✓ Ø0.507inX82° 4X



SCALE 1:10



NOTES:  
 STANDARD MATERIAL & FINISH:  
 - A-36 STEEL POWDER COATED

ADDITIONAL MATERIAL OPTIONS:  
 - A-36 STEEL GALVINIZED  
 - TYPE 304 STAINLESS STEEL  
 - TYPE 316 STAINLESS STEEL

MATERIAL:	SEE NOTE
FINISH:	SEE NOTE
COLOR:	
LOCATION:	
QUANTITY:	

**KEUKA STUDIOS**  
 FINE ARCHITECTURAL METAL WORK

1011 Rush Henrietta Townline Road  
 Rush, NY 14543  
 P: 1-855-454-5678  
 F: 585-487-6150  
[www.keuka-studios.com](http://www.keuka-studios.com)

PROJECT:	C-36-EPF
PART:	C-36-EPF
DRAWN BY:	JT
DATE:	4/15/16
REVISION:	
SCALE:	1:5
SIZE:	B

SHEET:	1
OF:	1

COPYRIGHT © 2016 BY KEUKA STUDIOS INC. ALL RIGHTS RESERVED. THESE DOCUMENTS ARE THE PROPERTY OF KEUKA STUDIOS INC. NO DISTRIBUTION IS PERMITTED WITHOUT WRITTEN APPROVAL FROM KEUKA STUDIOS INC.