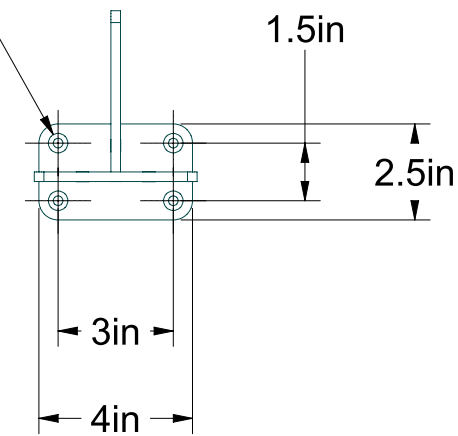
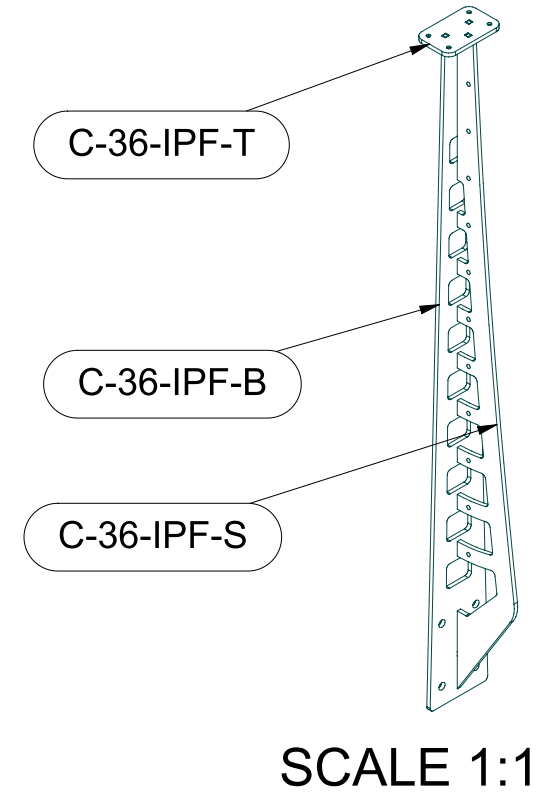
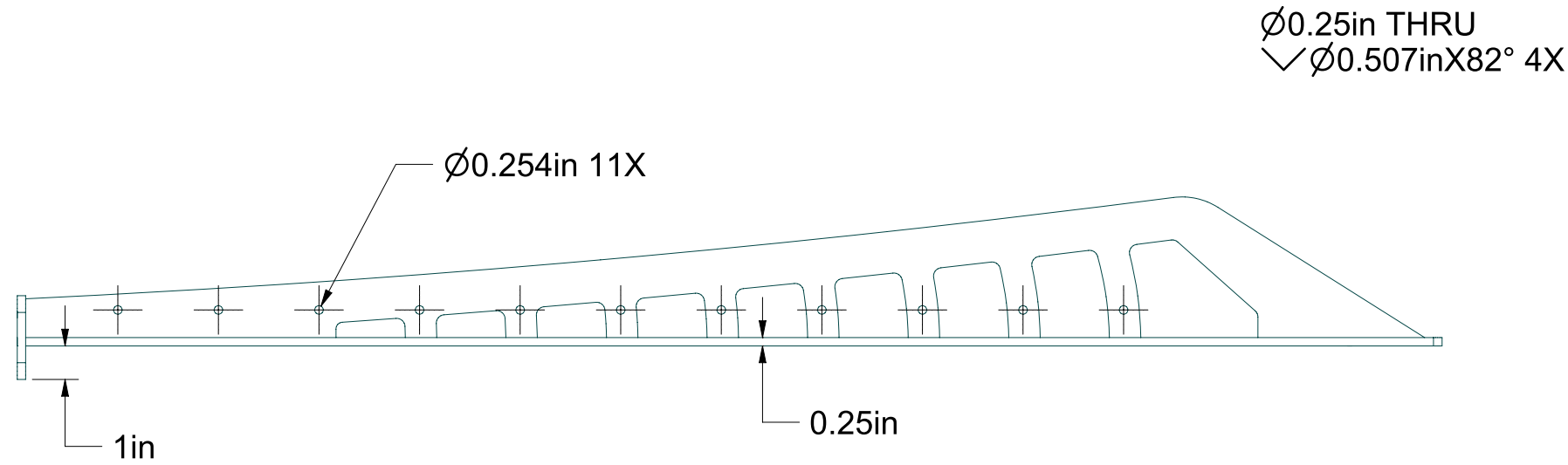
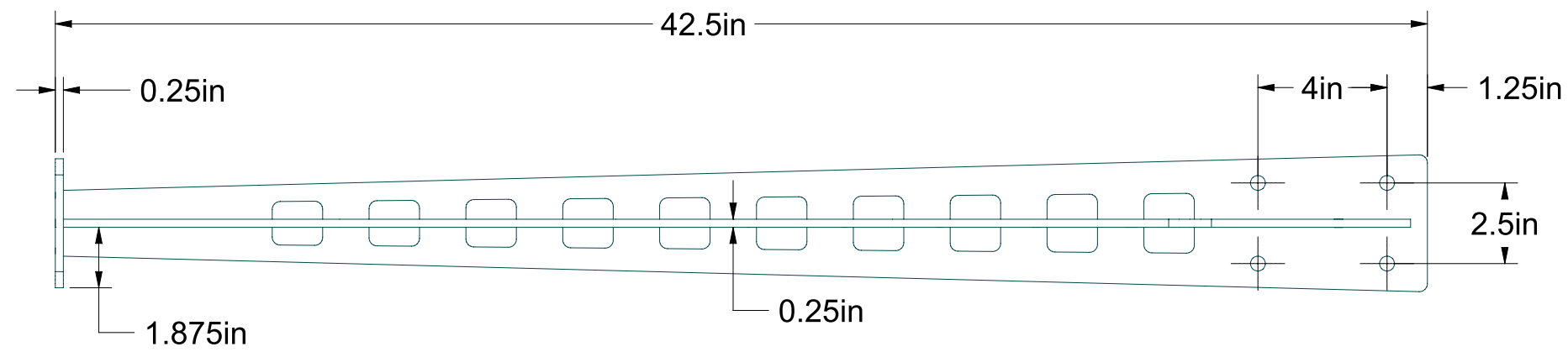


ITEM NO.	PART NUMBER	QTY
1	C-36-IPF-B	1
2	C-36-IPF-S	1
3	C-36-IPF-T	1



NOTES:
STANDARD MATERIAL & FINISH:
- A-36 STEEL POWDER COATED

ADDITIONAL MATERIAL OPTIONS:
- A-36 STEEL GALVINIZED
- TYPE 304 STAINLESS STEEL
- TYPE 316 STAINLESS STEEL

MATERIAL: SEE NOTE
FINISH: SEE NOTE
COLOR:
LOCATION:
QUANTITY:

KEUKA STUDIOS
FINE ARCHITECTURAL METAL WORK

1011 Rush Henrietta Townline Road
Rush, NY 14543
P: 585-454-5678
F: 585-487-6150
www.keuka-studios.com

PROJECT: C-36-IPF
PART: C-36-IPF
DRAWN BY: JT
DATE: 4/15/16
REVISION: 1:5
SCALE: 1:5
SIZE: B

SHEET: 1 OF: 1