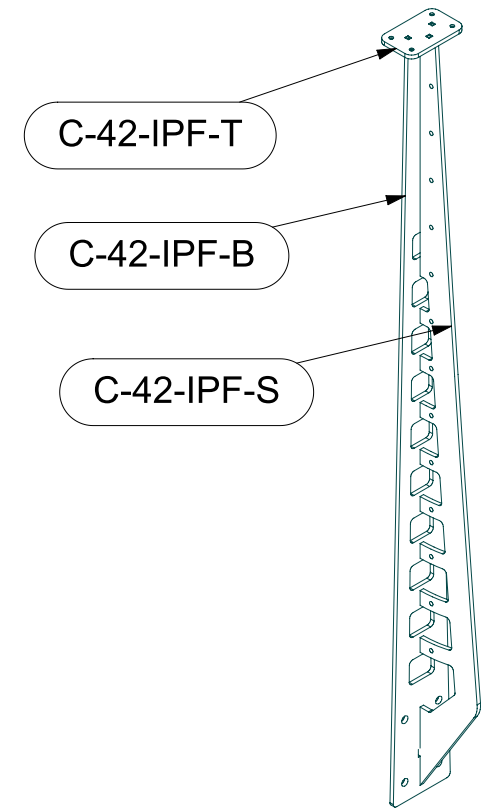
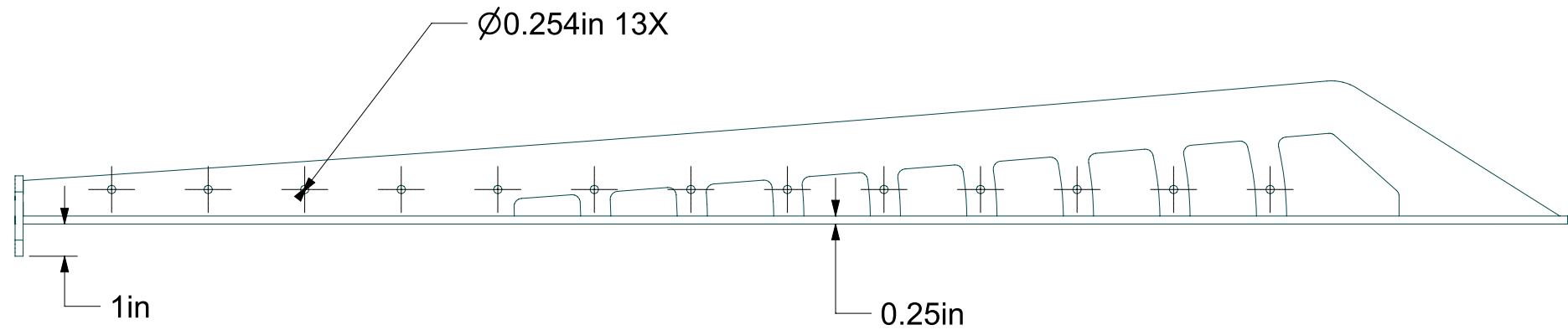
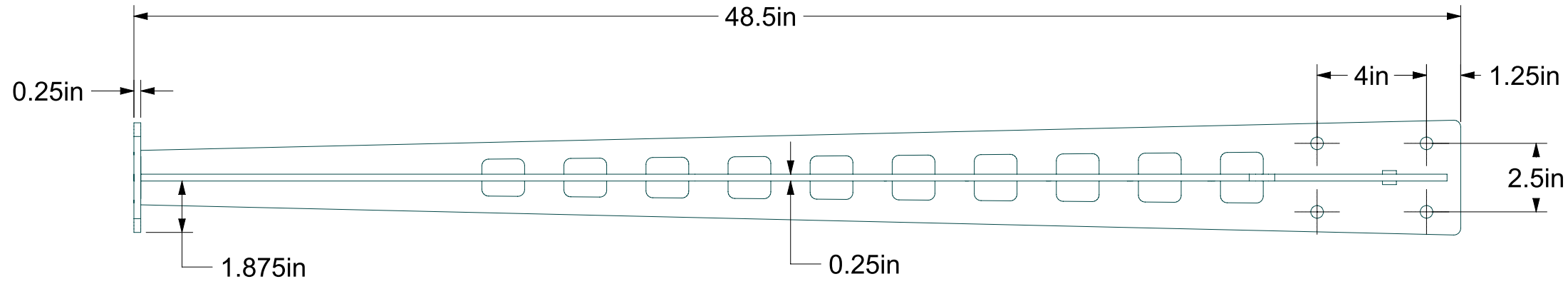
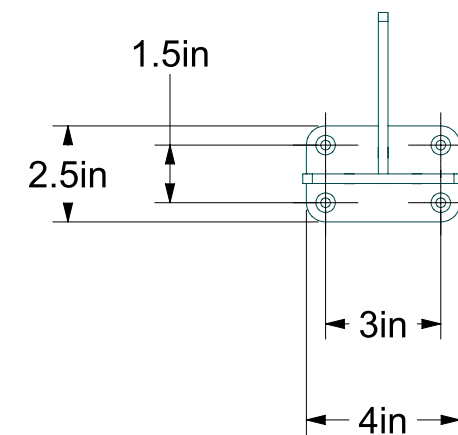


ITEM NO.	PART NUMBER	QTY
1	C-42-IPF-B	1
2	C-42-IPF-S	1
3	C-42-IPF-T	1



SCALE 1:10



NOTES:
STANDARD MATERIAL & FINISH:
- A-36 STEEL POWDER COATED

ADDITIONAL MATERIAL OPTIONS:
- A-36 STEEL GALVINIZED
- TYPE 304 STAINLESS STEEL
- TYPE 316 STAINLESS STEEL

MATERIAL:	SEE NOTE
FINISH:	SEE NOTE
COLOR:	
LOCATION:	
QUANTITY:	

KEUKA STUDIOS
FINE ARCHITECTURAL METAL WORK

1011 Rush Henrietta Townline Road
Rush, NY 14543
P: 585-454-5678
F: 585-487-6150

www.keuka-studios.com

PROJECT:	C-42-IPF
PART:	C-42-IPF
DRAWN BY:	JT
DATE:	4/15/16
REVISION:	
SCALE:	1:5
SIZE:	B

SHEET:	1
OF:	1