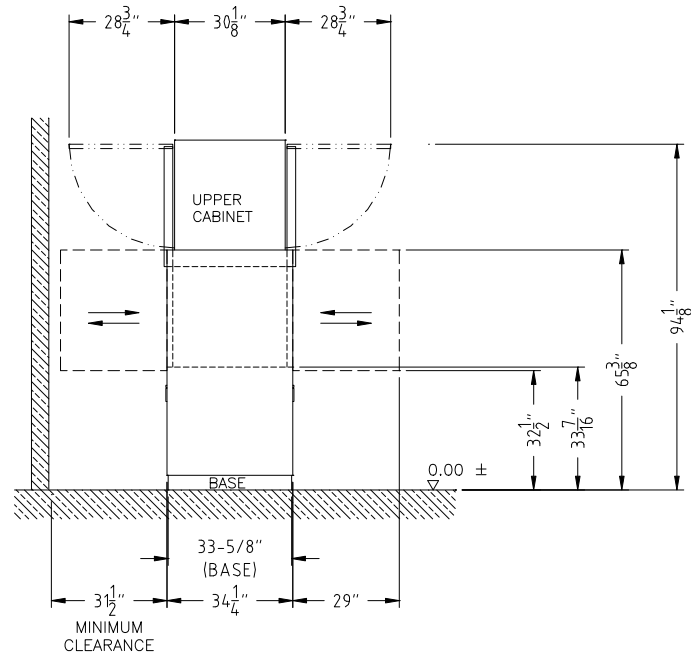
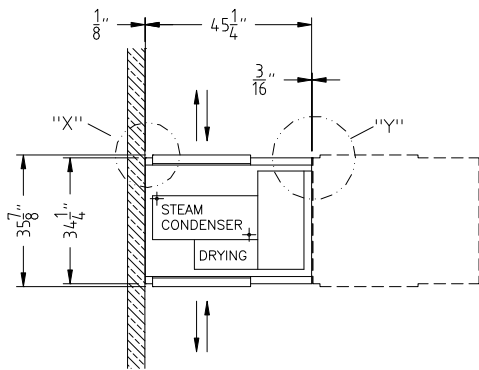


FRONT VIEW



SIDE VIEW



PLAN VIEW

PG 8528

8 1/2" X 11" - 1/4" = 1'-0"