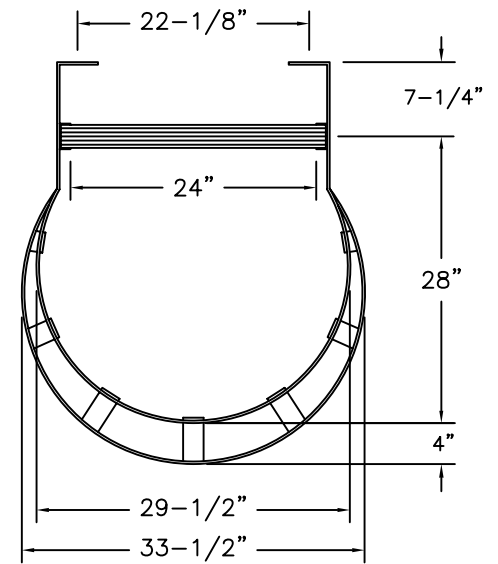
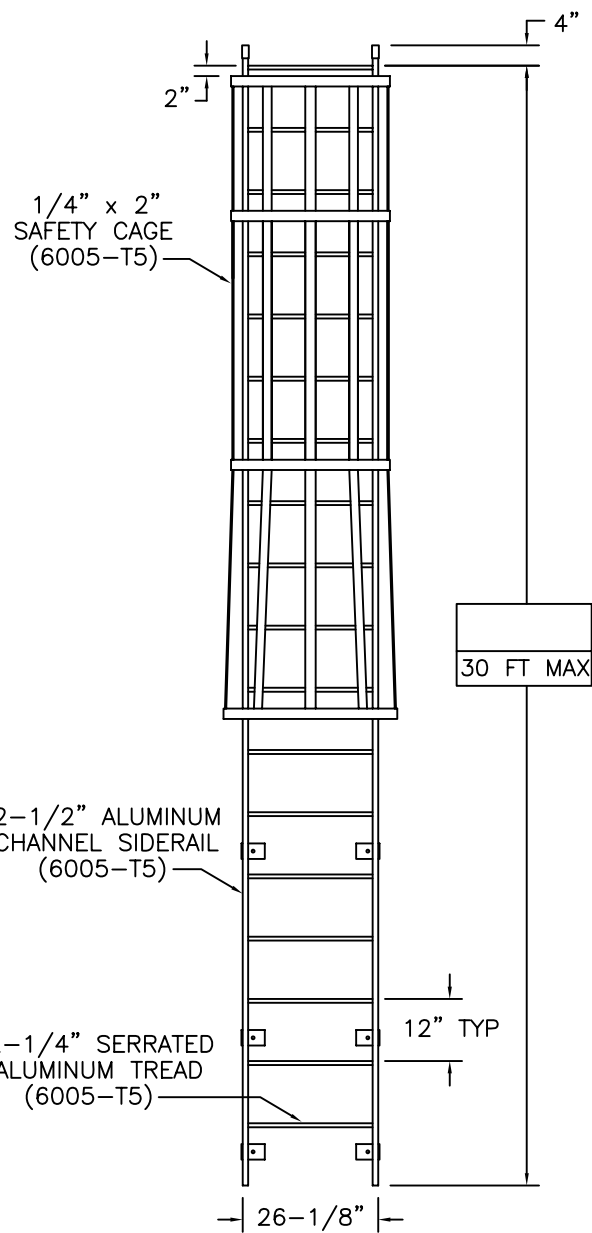
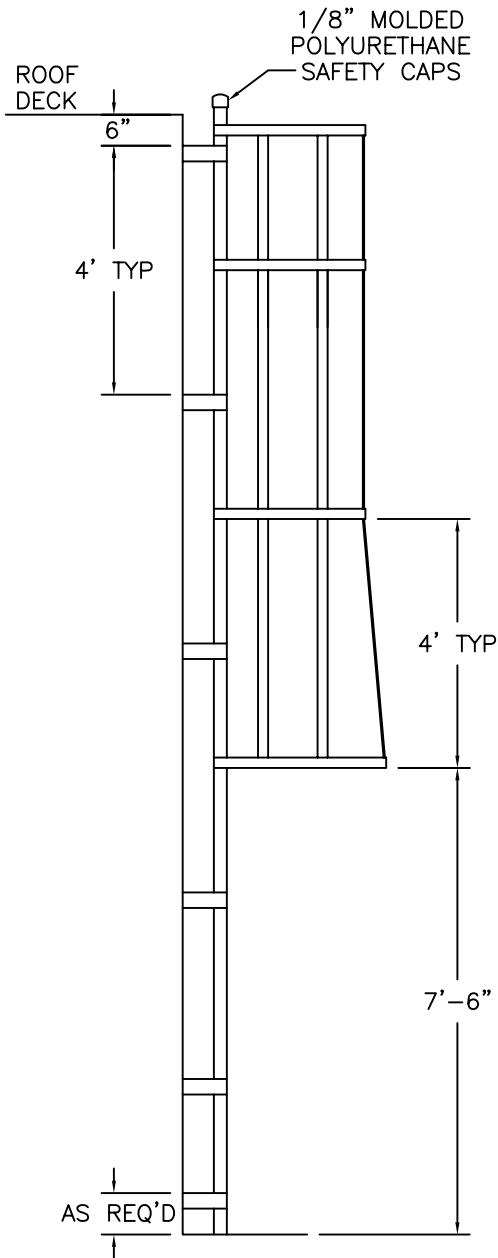
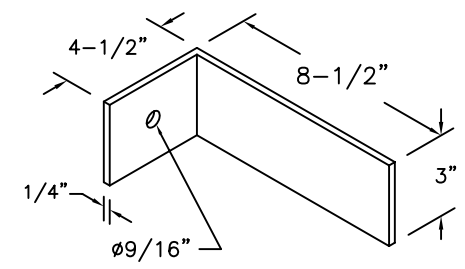


# FIXED LADDER w/CAGE TO ROOF HATCH



PLAN



BRACKET DETAIL

NOTE:  
ALL BOLTS/FASTENERS  
NECESSARY TO ANCHOR  
LADDER ARE BY OTHERS.

FACTORY FINISH  
ALUMINUM-MILL FINISH

FL-08

LADDERS MANUFACTURED BY PRECISION LADDERS, LLC  
COMPLY WITH OSHA 1910.27 AND ANSI 14.3

INDIVIDUAL TREAD TESTED AT  
3,000 LBS WITHOUT FAIL

LADDER RATED AT 1,500 LBS



**Precision Ladders, LLC**  
P.O. BOX 2279 Morristown, TN 37816-2279  
Ph: (423) 586-2265 Fax: (423) 586-2091  
www.PrecisionLadders.com

WORK ORDER: C

DWG. CHECK	ARCH'T OR ENGR.	PROJECT		PRECISION REP
BUILT BY:	PURCHASE ORDER	REVISION	PURCHASER	SERIAL#
CHECKED BY:	DRAWN BY: DNH	DATE: 10/2/15	MODEL#	QTY.
			FL-	