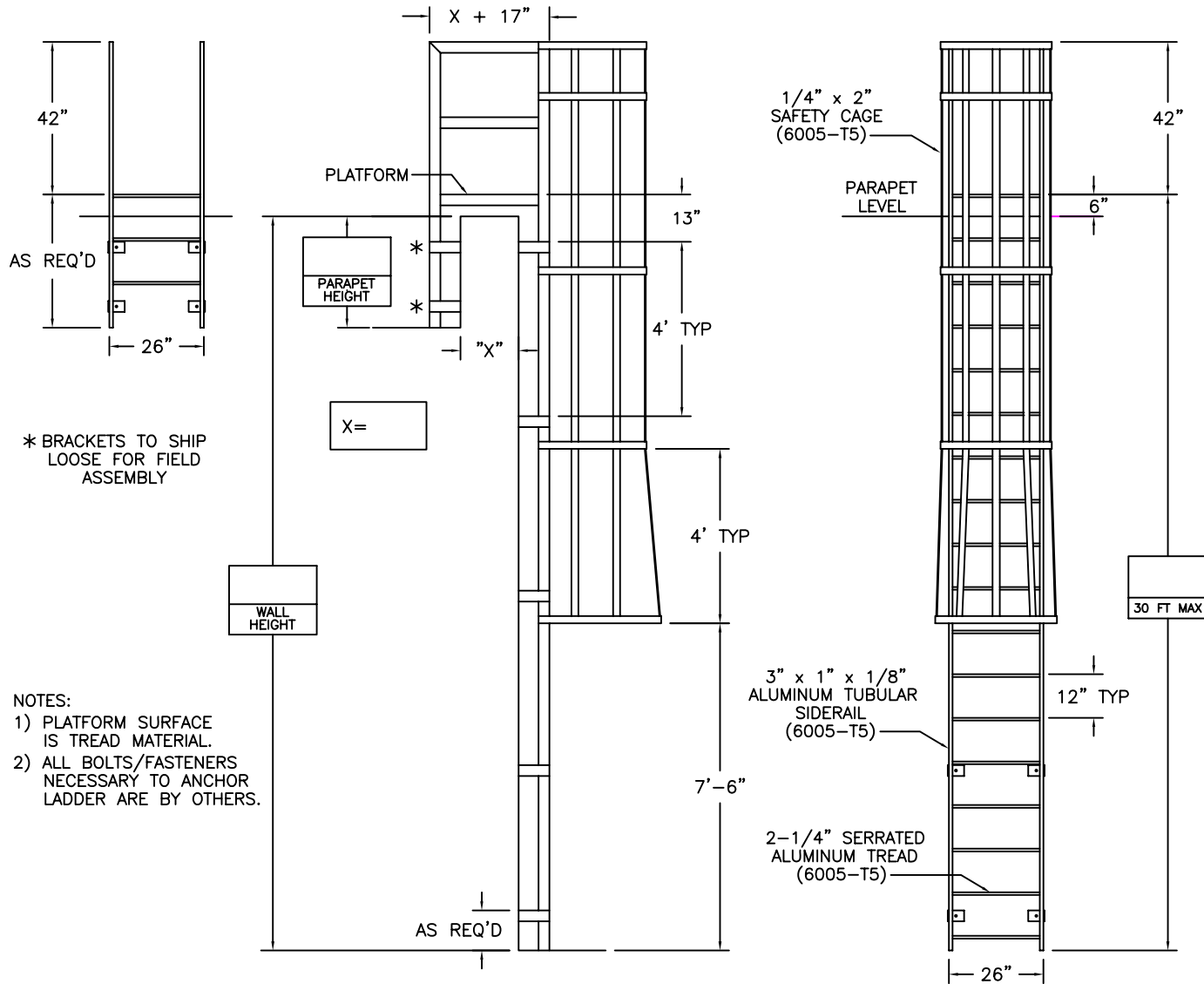
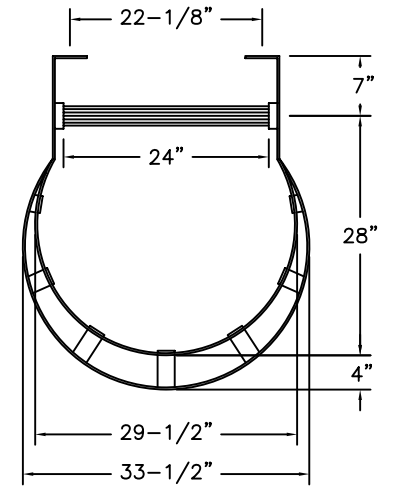


# TUBULAR FIXED LADDER w/CAGE, PLATFORM & ROOFSIDE RETURN

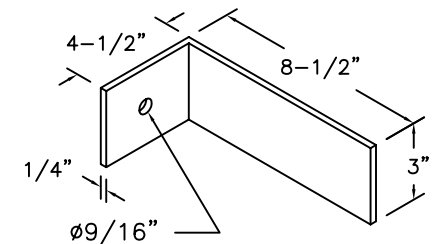


\* BRACKETS TO SHIP LOOSE FOR FIELD ASSEMBLY

- NOTES:
- 1) PLATFORM SURFACE IS TREAD MATERIAL.
  - 2) ALL BOLTS/FASTENERS NECESSARY TO ANCHOR LADDER ARE BY OTHERS.



PLAN  
(PARAPET PLATFORM & RETURN LADDER ARE OMITTED FOR CLARITY)



BRACKET DETAIL

FACTORY FINISH  
ALUMINUM-MILL FINISH

FLH-09

LADDERS MANUFACTURED BY PRECISION LADDERS, LLC  
COMPLY WITH OSHA 1910.27 AND ANSI 14.3

INDIVIDUAL TREAD TESTED AT  
3,000 LBS WITHOUT FAIL

LADDER RATED AT 1,500 LBS



**Precision Ladders, LLC**

P.O. BOX 2279 Morristown, TN 37816-2279  
Ph: (423) 586-2265 Fax: (423) 586-2091  
www.PrecisionLadders.com

WORK ORDER: ( )

DWG. CHECK  
BUILT BY:  
CHECKED BY:

ARCH'T OR ENG'R.  
PURCHASE ORDER  
DRAWN BY: DNH

PROJECT  
REVISION  
DATE 11/2/15  
PURCHASER  
MODEL#  
FL-

PRECISION REP  
SERIAL#  
QTY.