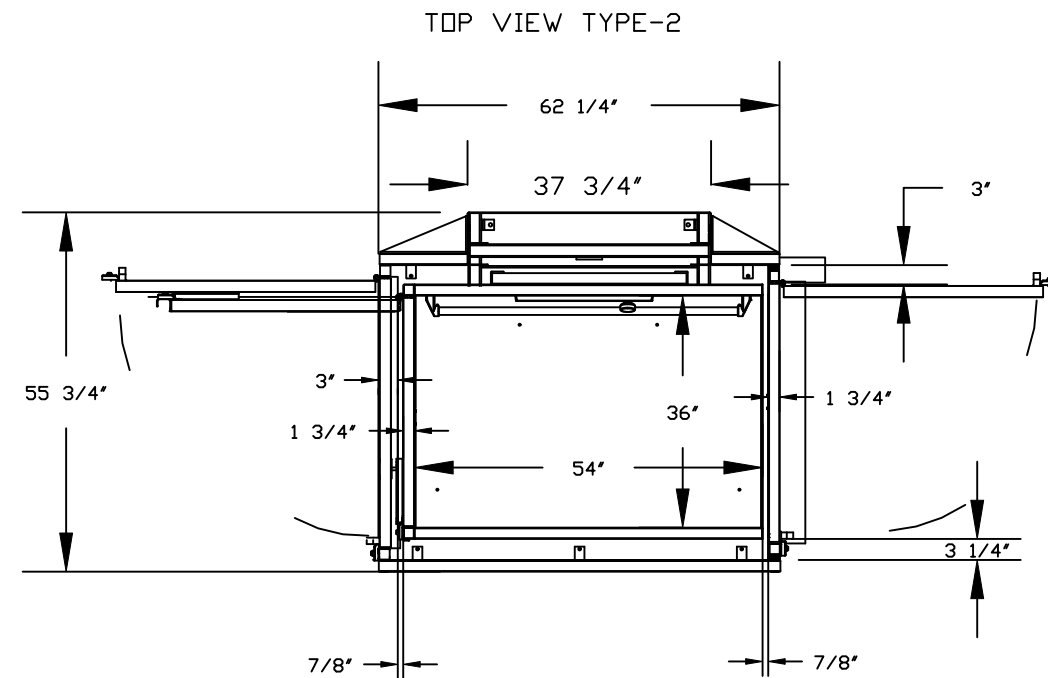
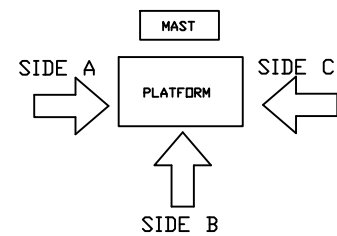
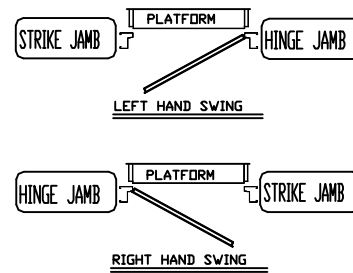
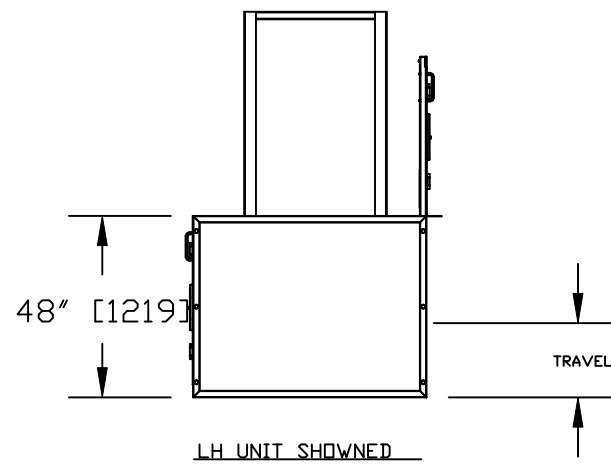
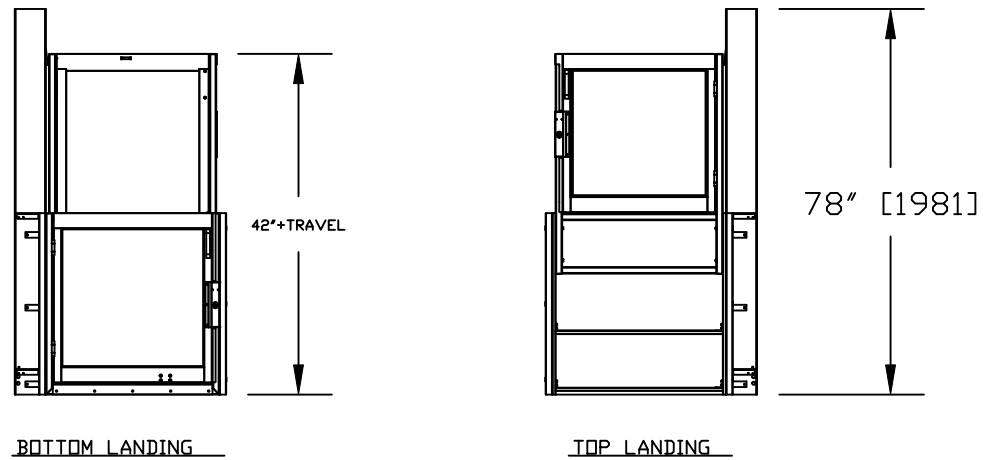
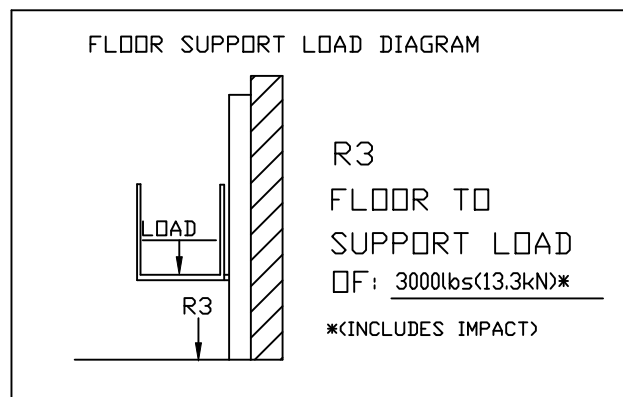
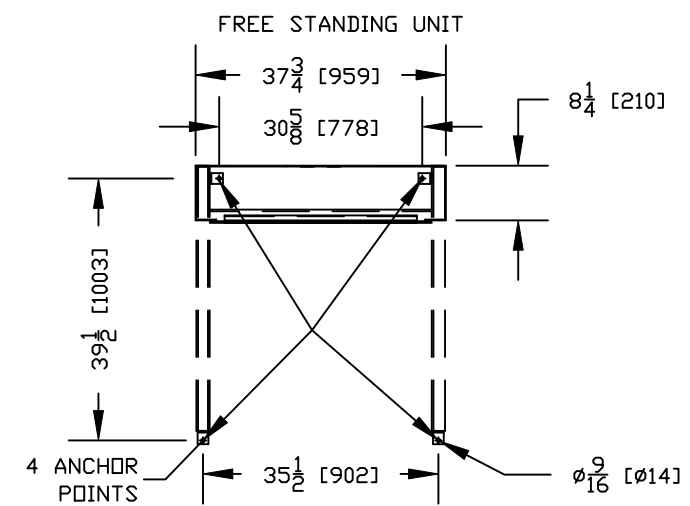


3 GATES- LH UNIT



TYPICAL PLAN



GENERAL ARRANGEMENT

VERTICAL WHEELCHAIR PLATFORM LIFT

CUSTOMER:	DATE:
PROJECT:	dd/mm/yy
ADDRESS:	REVISION DATE:
	dd/mm/yy
	COMPLETED BY:
	GG
	△

Part No. 3 GATES
Variant No.
savaria™
JOB No.
SHEET No.